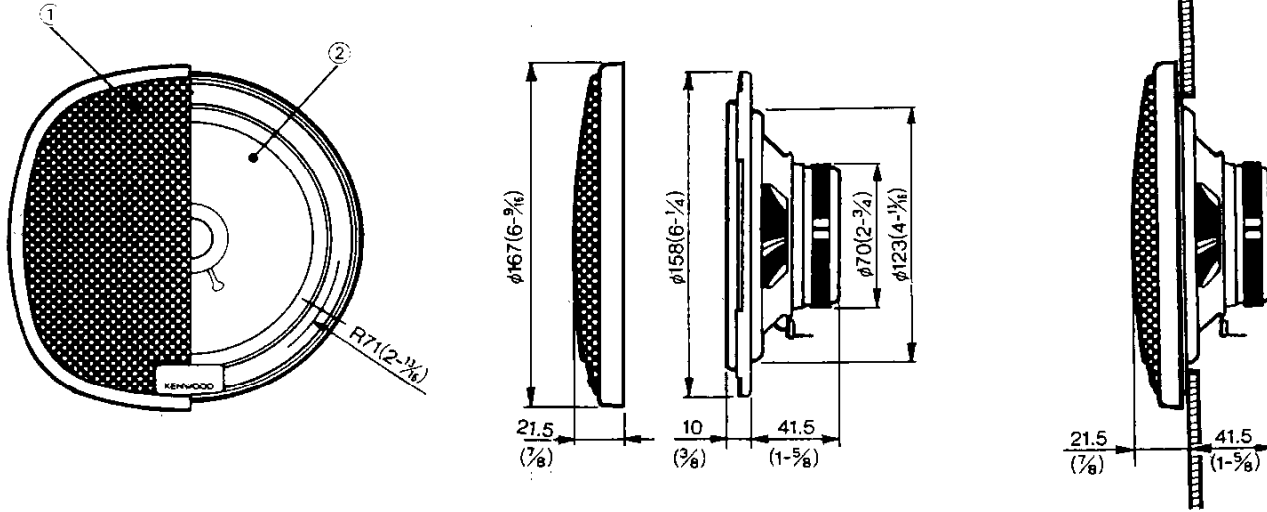


KFC-1663

SERVICE MANUAL

©1990-11 PRINTED IN JAPAN
B51-6250-00(T) 1430

EXTERNAL VIEW



Unit: mm (inch)

Q.C.
COPY

SPECIFICATIONS

Speakers	16cm (6in) Water Proof Treatment
Peak Power.....	122g (4.3 oz) Magnet
Frequency Response.....	60 Watts
Sensitivity	55Hz ~ 20,000Hz
Impedance.....	92 dB/W at 1m
Weight Per Speaker With Grille.....	4 Ohms
	0.55kg (11lb 3 oz)/Pc.

(KENWOOD follows a policy of continuous advancements in development. For this reason specifications may be changed without notice.)

PARTS LIST

★ New parts
Parts without **Parts No.** are not supplied.
Les articles non mentionnés dans le **Parts No.** ne sont pas fournis.
Teile ohne **Parts No.** werden nicht geliefert.

Ref No.	New Parts	Parts No.	Description
①		B06-0441-08 E30-5058-08 N99-1086-08	Grille ass'y Cord set Screw set
②	★	T07-0161-08	Speaker